

			RR-01-01-01	RR-01-01-02	RR-01-01-03	RR-01-01-04	RR-01-01-05
			To Suit 450mm Belt Width	To Suit 600mm Belt Width	To Suit 750mm Belt Width	To Suit 900mm Belt Width	To Suit 1200mm Belt Width
Retail Price NZD Each	Standard Hot Dip Galvanised	1 - 9 Units	\$170.00	\$181.00	\$193.00	\$205.00	\$227.00
		10 + Units	\$147.00	\$159.00	\$171.00	\$183.00	\$205.00
	Option Yellow Paint Over Galvanising	10 + Units	\$180.00	\$196.00	\$212.00	\$228.00	\$254.00

Price Excludes: Return Roller, GST, Delivery, Installation and Commissioning. Subject to Southern Cross Engineering Conditions of Sale.

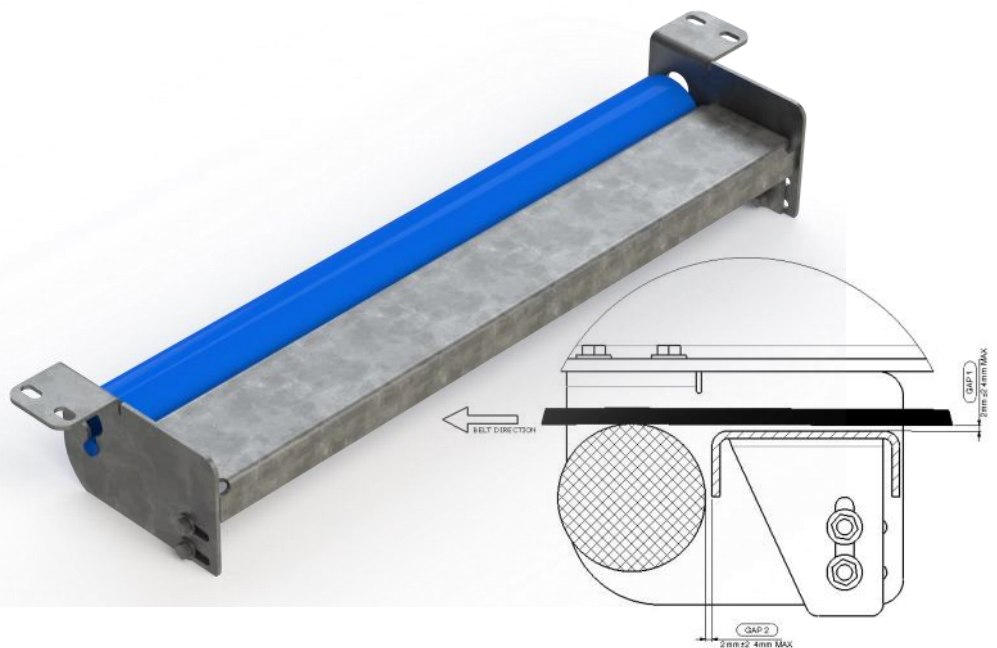
SPECIFICATIONS

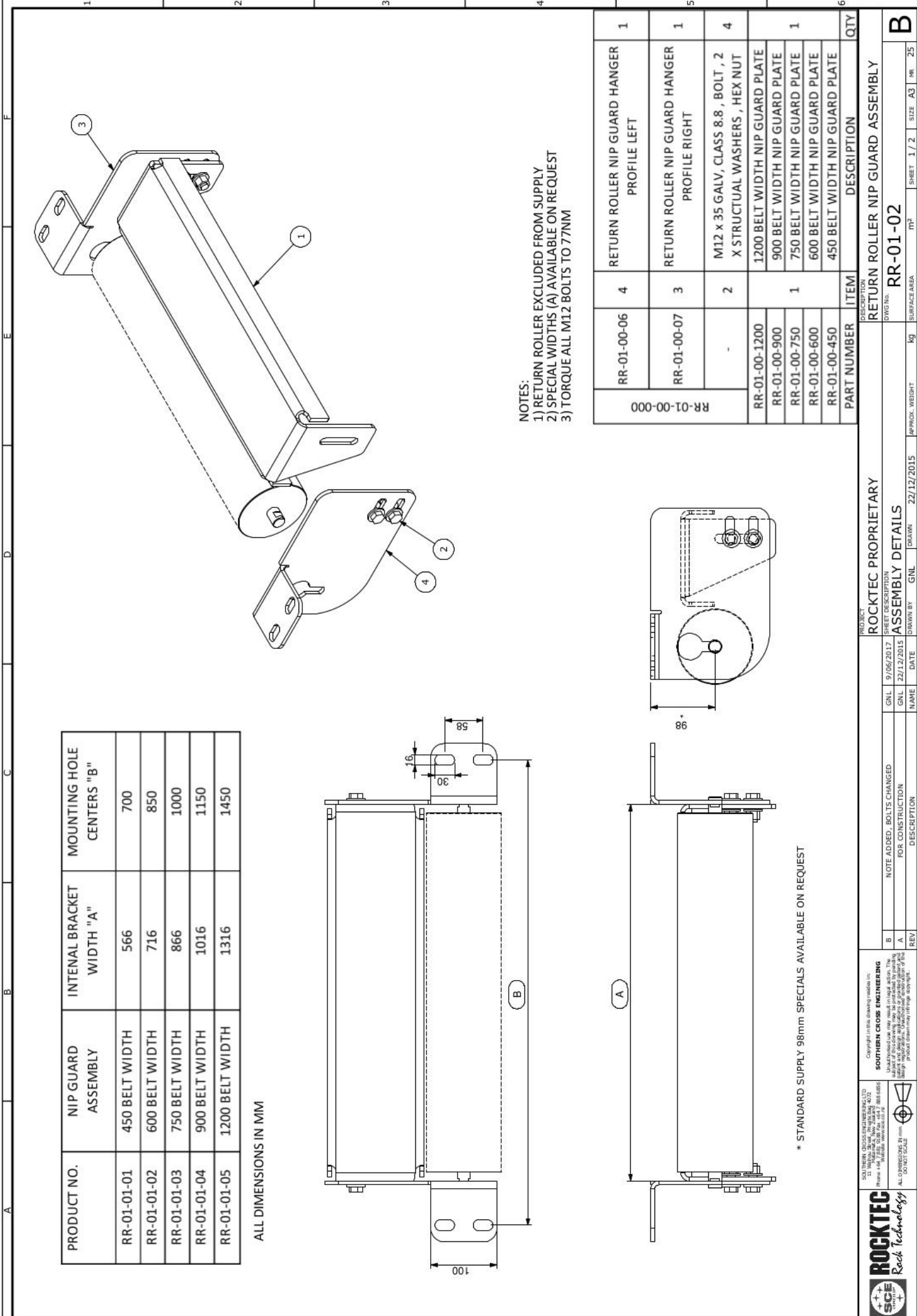
The Rocktec Return Roller Nip Guards extends across the width of the belt. It consists of two end brackets (that also hold the return roller) and a pressed section. It is made from mild steel and hot dip galvanised.

The guard is adjustable and when fitted correctly ensures a maximum gap of 4mm between the guard and the belt.

This return roller nip guard is designed to help minimize the potential for injury. Guards must be fitted correctly.

The operator should follow safe work practice procedures. Always lockout controls before performing any type of maintenance work .

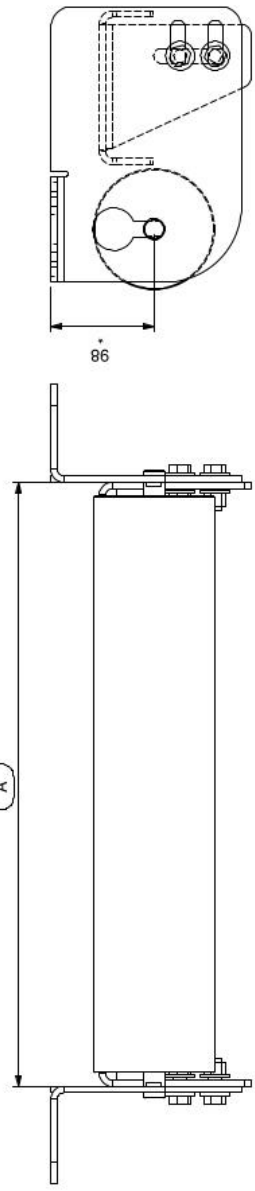
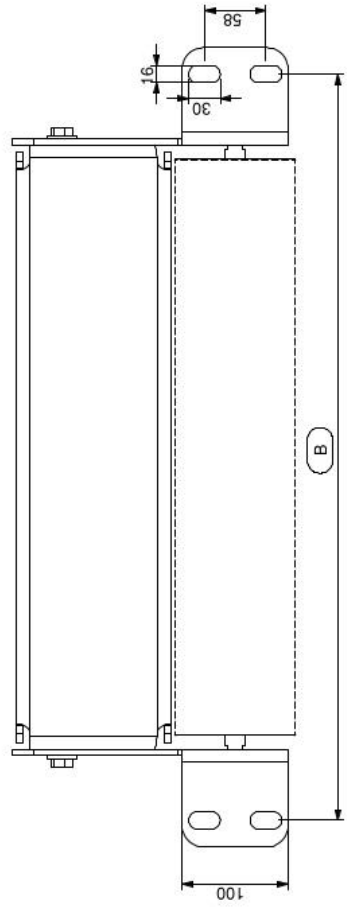




- NOTES:
 1) RETURN ROLLER EXCLUDED FROM SUPPLY
 2) SPECIAL WIDTHS (A) AVAILABLE ON REQUEST
 3) TORQUE ALL M12 BOLTS TO 77NM

PRODUCT NO.	NIP GUARD ASSEMBLY	INTERNAL BRACKET WIDTH "A"	MOUNTING HOLE CENTERS "B"
RR-01-01-01	450 BELT WIDTH	566	700
RR-01-01-02	600 BELT WIDTH	716	850
RR-01-01-03	750 BELT WIDTH	866	1000
RR-01-01-04	900 BELT WIDTH	1016	1150
RR-01-01-05	1200 BELT WIDTH	1316	1450

ALL DIMENSIONS IN MM



* STANDARD SUPPLY 98mm SPECIALS AVAILABLE ON REQUEST

RR-01-00-000	RR-01-00-06	RR-01-00-07		RR-01-00-1200	RR-01-00-900	RR-01-00-750	RR-01-00-600	RR-01-00-450	DESCRIPTION	QTY
	4	3	2	1	1	4	1	1	RETURN ROLLER NIP GUARD ASSEMBLY	
									RETURN ROLLER NIP GUARD HANGER PROFILE LEFT	1
									RETURN ROLLER NIP GUARD HANGER PROFILE RIGHT	1
									M12 x 35 GALV, CLASS 8.8, BOLT, 2 X STRUCTURAL WASHERS, HEX NUT	4
									1200 BELT WIDTH NIP GUARD PLATE	
									900 BELT WIDTH NIP GUARD PLATE	
									750 BELT WIDTH NIP GUARD PLATE	1
									600 BELT WIDTH NIP GUARD PLATE	
									450 BELT WIDTH NIP GUARD PLATE	

ROCKTEC Rock Technology
 SOUTH WEST CROSS ENGINEERING LTD
 15 Hildon Ave, New Zealand 4072
 Phone: +64 3 542 8888 Fax: +64 3 542 8889
 Email: sales@rocktec.co.nz Website: www.rocktec.co.nz

PROJECT: **ROCKTEC PROPRIETARY**
 SHEET DESCRIPTION: **RETURN ROLLER NIP GUARD ASSEMBLY**
 DRAWN BY: **GNL** DATE: **22/12/2015**
 DRAWN BY: **GNL** DATE: **22/12/2015**
 APPROX. WEIGHT: **Kg** SURFACE AREA: **m²**

DWG No: **RR-01-02**
 SIZE: **A3** NR: **25**
 SHEET: **1 / 2**

NOTE ADDED: BOLTS CHANGED FOR CONSTRUCTION DESCRIPTION
 REV: