

			RR-01-01-01	RR-01-01-02	RR-01-01-03	RR-01-01-04	RR-01-01-05
			To Suit 450mm Belt Width	To Suit 600mm Belt Width	To Suit 750mm Belt Width	To Suit 900mm Belt Width	To Suit 1200mm Belt Width
Retail Price NZD Each	Standard Hot Dip Galvanised	1 - 9 Units	\$183.00	\$196.00	\$209.00	\$222.00	\$423.00
		10 + Units	\$159.00	\$172.00	\$185.00	\$198.00	\$399.00
	Option Yellow Paint Over Galvanising	10 + Units	\$195.00	\$212.00	\$229.00	\$247.00	\$452.00

Price Excludes:

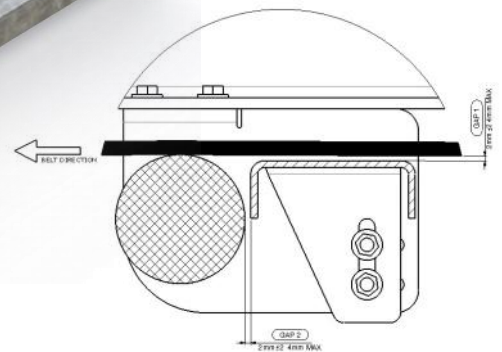
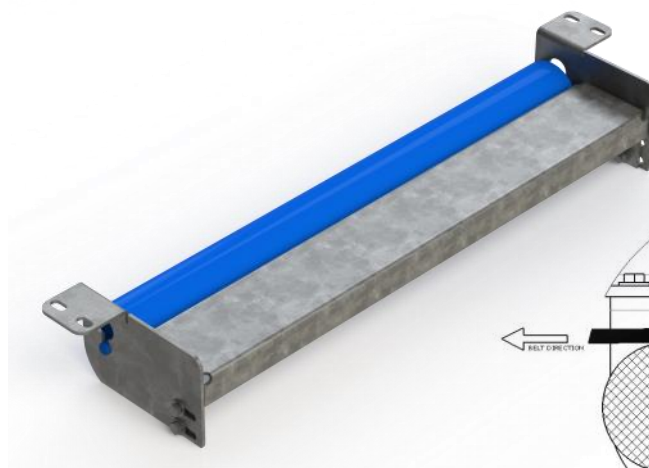
Return Roller, GST, Delivery, Installation and Commissioning.
Subject to Rocktec Conditions of Sale.

SPECIFICATIONS

The Rocktec Return Roller Nip Guards extends across the width of the belt. It consists of two end brackets (that also hold the return roller) and a pressed section. It is made from mild steel and hot dip galvanised.

The guard is adjustable and when fitted correctly ensures a maximum gap of 4mm between the guard and the belt.

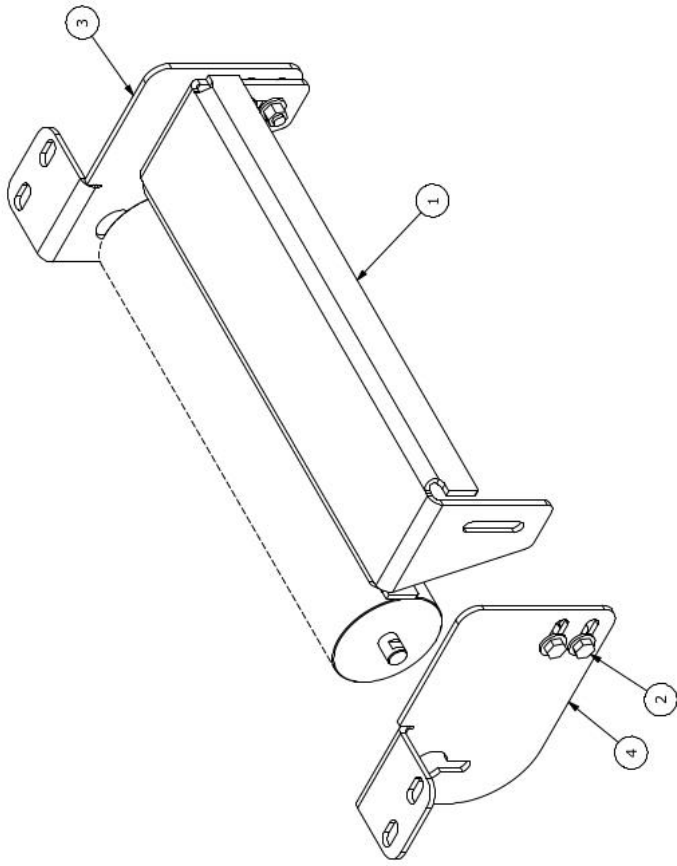
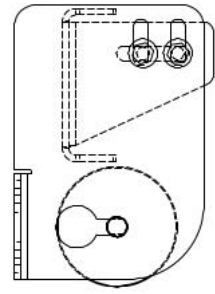
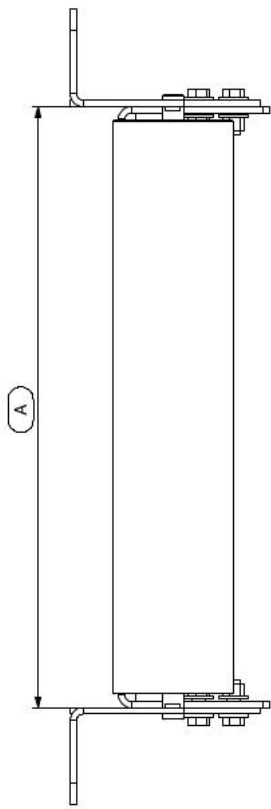
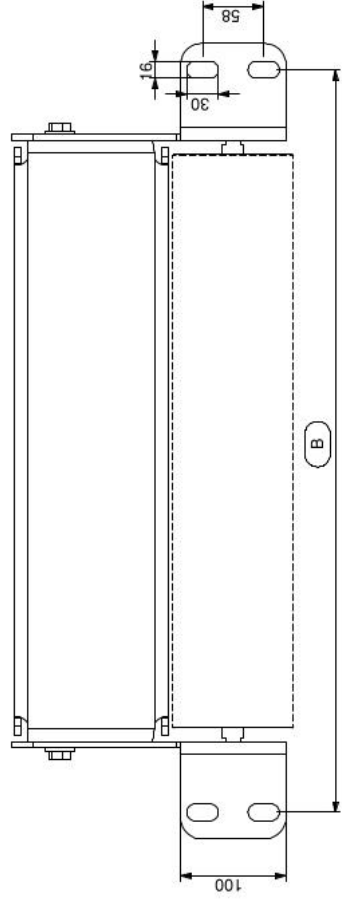
This return roller nip guard is designed to help minimize the potential for injury. Guards must be fitted correctly. The operator should follow safe work practice procedures. Always lockout controls before performing any type of maintenance work.



A B C D E F

PRODUCT NO.	NIP GUARD ASSEMBLY	INTERNAL BRACKET WIDTH "A"	MOUNTING HOLE CENTERS "B"
RR-01-01-01	450 BELT WIDTH	566	700
RR-01-01-02	600 BELT WIDTH	716	850
RR-01-01-03	750 BELT WIDTH	866	1000
RR-01-01-04	900 BELT WIDTH	1016	1150
RR-01-01-05	1200 BELT WIDTH	1316	1450

ALL DIMENSIONS IN MM



- NOTES:
- 1) RETURN ROLLER EXCLUDED FROM SUPPLY
 - 2) APPLY ANTI-SIEZE LUBRICANT TO ALL BOLTS
 - 3) SPECIAL WIDTHS (A) AVAILABLE ON REQUEST
 - 4) TORQUE ALL M12 BOLTS TO 77NM

RR-01-00-000	RR-01-00-06	RR-01-00-07	RR-01-00-1200	RR-01-00-900	RR-01-00-750	RR-01-00-600	RR-01-00-450
4	1	2	1	1	1	1	1
RETURN ROLLER NIP GUARD HANGER PROFILE LEFT	RETURN ROLLER NIP GUARD HANGER PROFILE RIGHT	M12 x 35 ZINC, CLASS 8.8, BOLT, 2 X HARDENED WASHERS, HEX NUT	1200 BELT WIDTH NIP GUARD PLATE	900 BELT WIDTH NIP GUARD PLATE	750 BELT WIDTH NIP GUARD PLATE	600 BELT WIDTH NIP GUARD PLATE	450 BELT WIDTH NIP GUARD PLATE

	SOUTH AFRICA: CROSS-ENGINEERING LTD 11, WILSONS CREEK ROAD, WILSONS CREEK, 4072 Phone: +27 (0)11 885 6856 Fax: +27 (0)11 885 6857 Email: sales@rocktec.co.za Website: www.rocktec.co.za	PROJECT: ROCKTEC PROPRIETARY SHEET DESCRIPTION: ASSEMBLY DETAILS DRAWN BY: GNL DATE: 22/12/2015 DRAWN: 22/12/2015	FOR CONSTRUCTION DESCRIPTION NAME: GNL DATE: 22/12/2015	REV: A	APPROX. WEIGHT: 69 kg SHEET: 1 / 2 SIZE: A3 NR: 23
	ALL DIMENSIONS IN mm UNLESS OTHERWISE SPECIFIED Copyright in this drawing resides in: Rocktec Engineering (Pty) Ltd. All rights reserved. This drawing and its contents may be protected by patents, trademarks, trade secrets and/or other intellectual property rights.	RETURN ROLLER NIP GUARD ASSEMBLY DWG NO.: RR-01-02 SURFACE AREA:	DESCRIPTION: RETURN ROLLER NIP GUARD ASSEMBLY QTY:	PART NUMBER: RR-01-00-000 ITEM: RETURN ROLLER NIP GUARD HANGER PROFILE LEFT DESCRIPTION: RETURN ROLLER NIP GUARD HANGER PROFILE RIGHT M12 x 35 ZINC, CLASS 8.8, BOLT, 2 X HARDENED WASHERS, HEX NUT 1200 BELT WIDTH NIP GUARD PLATE 900 BELT WIDTH NIP GUARD PLATE 750 BELT WIDTH NIP GUARD PLATE 600 BELT WIDTH NIP GUARD PLATE 450 BELT WIDTH NIP GUARD PLATE	REV: A